

Betacam SX Recorder Unit

- Superb picture and high sound quality of Betacam SX
- Dockable VTR •Component digital recording using the advanced compression algorithm of MPEG-2 4:2:2P@ML
- 525/60, 625/50 switchable •4 channels of 16-bit/48kHz digital audio •Same size cassette tape as Betacam SP provides longer recording time of up to 62 minutes on a single S-cassette •Current Betacam SP metal tape cassettes can be used for Betacam SX recording (with Betacam SX, recording time is double the stated duration of the Betacam SP tape) •Approximately 105 minutes of continuous operation with a BP-L60A lithium-ion battery
- Compact and lightweight design less than 3kg •Provides Good Shot Mark and REC. Start Mark functions to speed the editing process •Color playback in the field without an external adaptor •Slot-in mechanism to accommodate an optional WRR-855A Wireless Microphone Receiver
- Internal light system •Full color genlock capability
- Built-in time code regenerator •Extensive LCD display indicating Time Code, CTL and User-bit data, Tape Remaining, Battery Capacity and audio recording levels
- REC/Review function •Stereo audio line out •Low acoustic noise •High reliability and easy maintenance with sophisticated diagnostic system

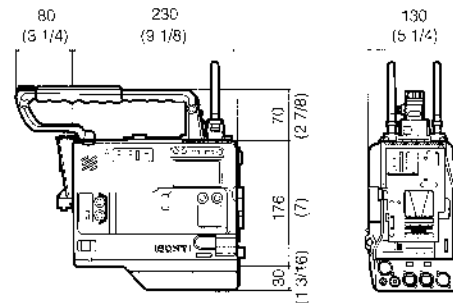


WRR-855A and battery are options.

- Supplied accessories:
- 50-pin connector cap (1)
 - Shoulder belt (1)
 - BNC cap (5)
 - XLR cap 1 (2)
 - XLR cap 2 (2)
 - Operation manual (1)
 - Maintenance manual (1)

- Optional accessories:
- WRR-855A Slot-in Wireless Microphone Receiver
 - WRR-860A Wireless Microphone Receiver (adaptor required)
 - WRR-810A Wireless Microphone Receiver (adaptor required)
 - BP-L90A Rechargeable Lithium-ion Battery
 - BP-L60A Rechargeable Lithium-ion Battery
 - AC-DN1 AC Adaptor
 - AC-550/550CE AC Adaptor
 - CA-701 Camera Adaptor
 - VA-DN1 Interface Box
 - VA-5/5P Component/Composite VTR Adaptor
 - LC-DN5 Carrying Case

Dimensions



Unit: mm (inch)

Specifications

		DNV-5
General	Mass	Approx. 2.9kg (6 lb 6 oz)
	Power requirements	DC 12V +5.0V/-1.0V
	Power consumption	20W
	Operating temperature	0°C to +40°C (+32°F to +104°F)
	Storage temperature	-20°C to +60°C (-4°F to +140°F)
	Humidity	25% to 85% (relative humidity)
	Continuous operating time	Approx. 105 min. with BP-L60 (BVP-90/90P and DNV-5)
	Recording format	Betacam SX
	Tape speed	59.515 mm/s (525 mode), 59.575 mm/s (625 mode)
	Playback/Recording time	Max. 62 min. with BCT-62SXA cassette
	Fast forward time	Approx. 5.5 min. with BCT-62SXA
	Rewind time	Approx. 5 min. with BCT-62SXA
Inputs/Outputs	Video input (from the camera head)	50-pin, Luminance 1.0Vp-p, 1k Ω Chrominance B-Y/R-Y: 0.7Vp-p, 1k Ω
	Genlock video input	BNC (1), 1.0Vp-p, 75 Ω
	Time code input	BNC (1), 0.5 to 18Vp-p, 10k Ω
	Audio CH-1/2 input/Mic input	XLR-3-31 type (2), -60dBu/+4dBu selectable, high impedance, balanced
	Video output	BNC (1), 1.0Vp-p, 75 Ω
	Test output	BNC (1), 1.0Vp-p, 75 Ω
	Time code output	BNC (1), 1.0Vp-p, 75 Ω
	Earphone	Mini jack
	Audio output	XLR 5-pin male (stereo)
	Remote	6-pin
	Light	2-pin, DC12V, Max. 30W
	DC input	XLR 4-pin male with switch (for the optional AC-550/550CE AC Adaptor)
DC output	4-pin (for wireless microphone receiver), DC 12V	
Video Performance	Sampling frequency	Y: 13.5MHz R-Y/B-Y: 6.75MHz
	Quantization	8bits/sample
	K-factor (2T pulse)	1% or less
	Y/C delay	15ns or less
Digital Audio Performance	Sampling frequency	48kHz
	Quantization	16bits/sample
	Frequency response	20Hz to 20kHz +0.5dB/1.0dB
	Dynamic range	More than 85dB
	Distortion T.H.D.	Less than 0.08%
	Crosstalk	Less than -70dB
	Wow & flutter	Below measurable level
	Head room	20dB
Emphasis (ON/OFF selectable)	T1=50 μ s, T2=15 μ s	

The specifications given above were measured by CA-701.