

## **CA-512P**

### **Camera adaptor for DXC-D30P/ D30WSP/637P/327BP**

•Allows an AG-7450 Panasonic S-VHS  
video tape recorder to be coupled with a  
DXC-D30P/D30WSP/637P/327BP

Power requirements:

DC 12V

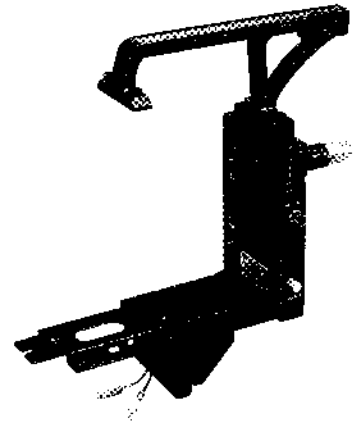
Power consumption:

0.35W

Input/outputs:INTERFACE; 50-pin x1

68-pin x1

Mass: 0.7 kg (1 lb 9 oz)



Downloaded from: [www.broadcast-trader.com.au](http://www.broadcast-trader.com.au)