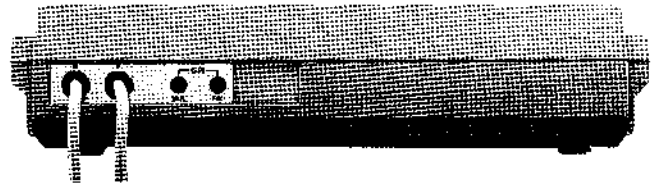
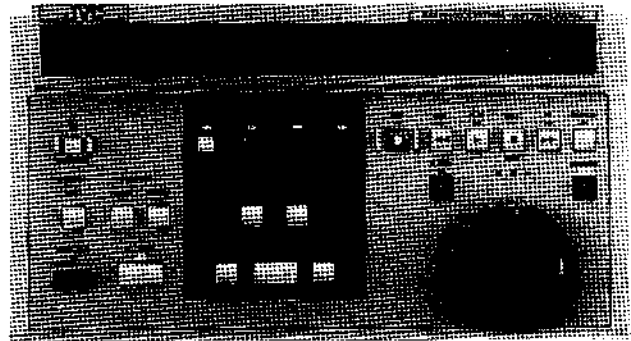


Cuts Editing Controller

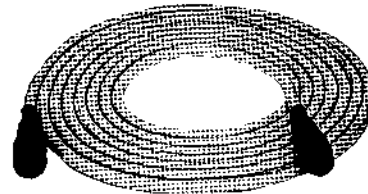
RM-G800U

- Compact and light weight editing control unit
- JVC original control bus interface
- Two GPI ports for control of external equipment
- One JOG/SHUTTLE dial and large buttons for easy operation
- One 8-digit LED counter
- PREVIEW/REVIEW/GO-TO function
- ENTRY POINT CANCEL capability
- CTL and time code reference editing
- Lap time counter
- Manual take function

Note: The following functions are not available when using the RM-G800U in combination with the SR-S388E: timecode editing, Audio-2 insert editing, capstan bump functions, and preview editing.



Optional Accessories



VC-G8030U (12-pin - 12-pin) (3 m)
Extension Cable

GENERAL

Power requirement: DC 12 V supplied from VTR

Dimensions: 330 (W) x 79 (H) x 182 (D) mm

Weight: 1.2 kg

Operating temperature: +5°C + 50°C (41°F ~ 104°F)

Storage temperature: -20°C ~ + 60°C (-4°F ~ 140°F)

Operating humidity: 30% to 80%

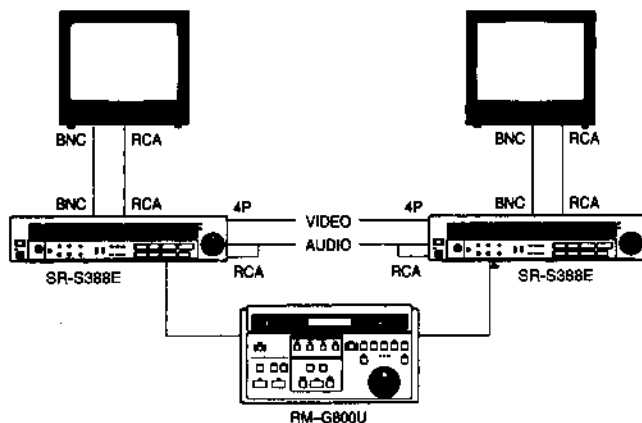
Storage humidity: 10% to 90%

Counter display: 8-digit (LED)

VCR control: PLAY, REC (Recorder only), STOP, REW, FF, JOG, PAUSE/
STILL, COUNTER RESET, EJECT

Editing modes: ASSEMBLY, VIDEO INSERT, AUDIO INSERT, GO TO,
REVIEW, SHIFT

Cuts-only Editing



Cuts-only Editing

